



FOOD EQUIPMENT

SERVING THE FOOD INDUSTRY SINCE 1951

STAINLESS STEEL HYDRAULIC PISTON SAUSAGE STUFFERS - 26 LB CAPACITY

Item: 45950
Model: SS-ES-0026-F

Item: 46098
Model: SS-ES-0026-FS

Item: 46099
Model: SS-ES-0026-FT



Ergonomic knee lever.
Reversible operating direction.



Removable lid, adjustable lid
lock nuts with handles.



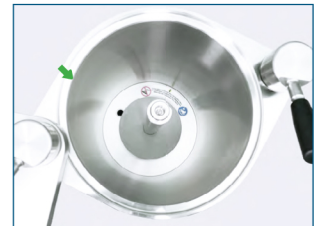
Speed control &
pressure gauge.



New!
3 transparent nozzles, ϕ ext
14, 20 and 30 mm. Maximum
hygiene, without edges.



Adjustable anti-vibration feet.



Fully s/s barrel bottom
with water draining outlet.
Simple cleaning.

OPTIONAL CASTER

Sold separately

Item 69577
Black Stainless Steel
Swivel Caster with Brake



WARRANTY
PARTS AND LABOR



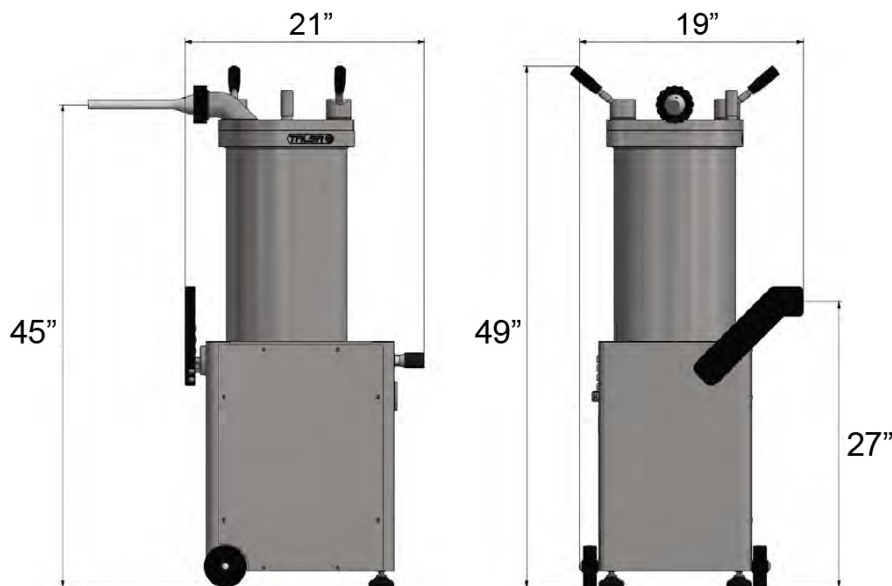
Authorized Dealer

FOOD EQUIPMENT

STAINLESS STEEL HYDRAULIC PISTON SAUSAGE STUFFERS
- 26 LB. CAPACITY



TECHNICAL DRAWINGS
WITH DETAILED DIMENSIONS



TECHNICAL SPECIFICATIONS

ITEM NUMBER	45950	46098	46099
MODEL	SS-ES-0026-F	SS-ES-0026-FS	SS-ES-0026-FT
POWER	1 HP / 0.75 kW	1 HP / 0.75 kW	0.75 HP / 0.55 kW
AMPS	11 Amps	5 Amps	3.6 Amps
BARREL CAPACITY	14.2 L / 3.7 Gal		
APPROX. MEAT CAPACITY	26 lbs. / 11 kg.		
OPERATING TEMPERATURE	5°C - 40°C / 40°F - 100°F		
OPERATING RELATIVE HUMIDITY	20% - 90%		
ELECTRICAL	110V / 60Hz / 1Ph	220V / 60Hz / 1Ph	208V / 60Hz / 3Ph
NET WEIGHT	265 lbs. / 120 kg.		
GROSS WEIGHT	310 lbs. / 140 kg.		
DIMENSIONS (DWH)	21" x 19" x 49" / 533.4 x 482.6 x 1244.6 mm		
GROSS DIMENSIONS	17" x 27" x 54" / 430 x 680 x 1370 mm		

OMCAN INC.

Telephone: 1-800-465-0234

Fax: (905) 607-0234

Email: sales@omcan.com

Website: www.omcan.com



Follow us to keep up to date with the latest news and offers



2018.E.O.E